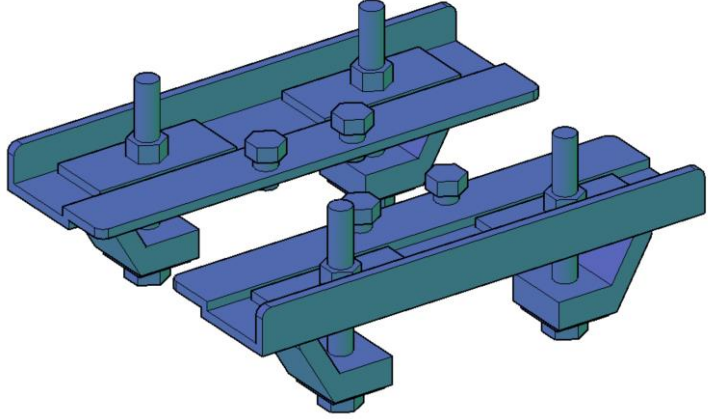
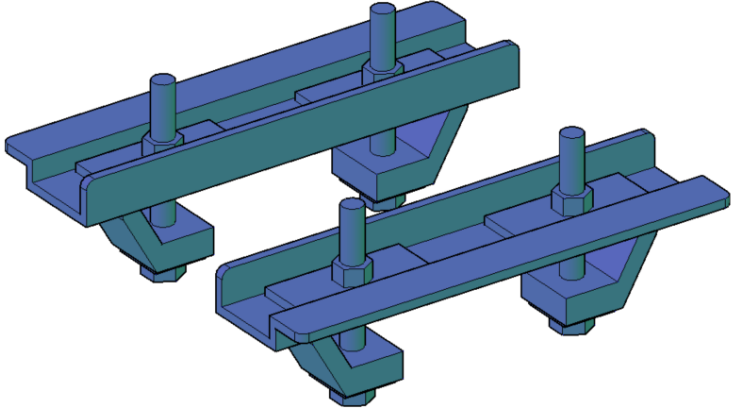
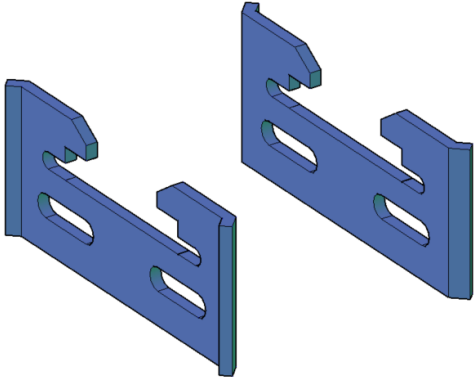
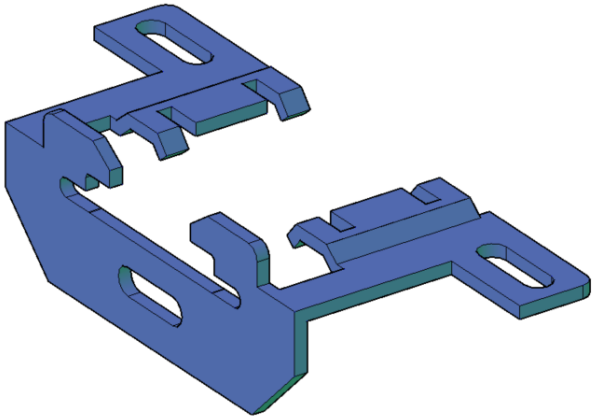
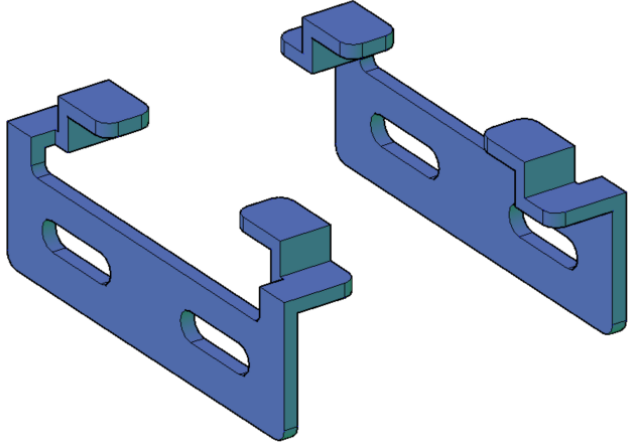
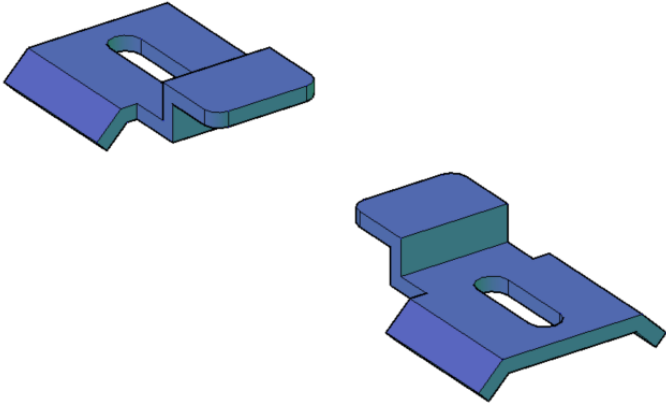


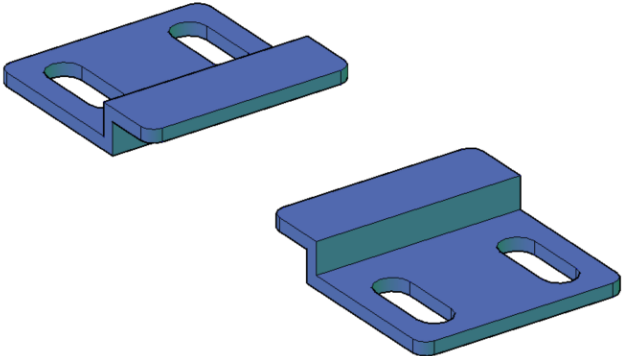
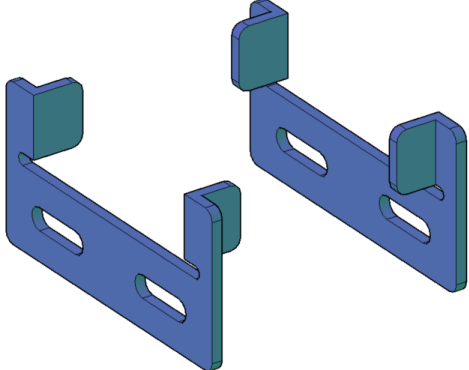
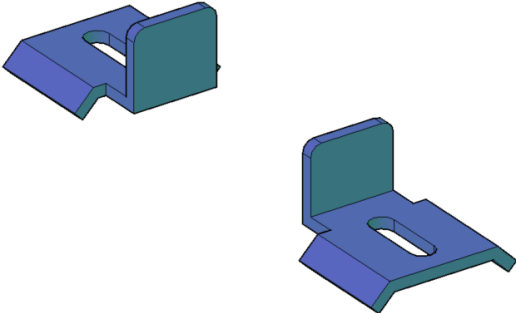
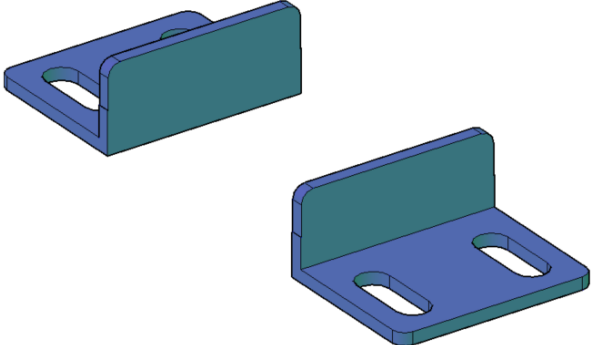
CLAMP FOR PIPE SHOE

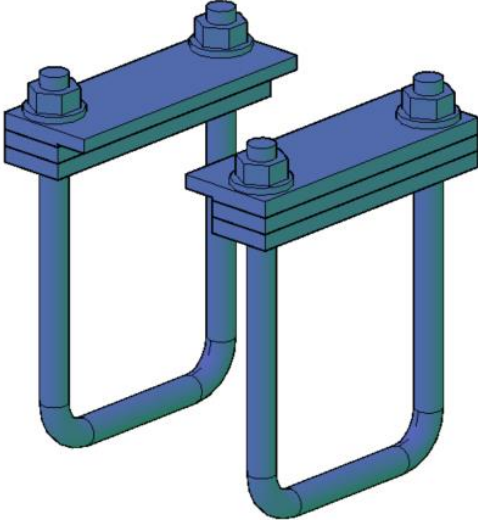
To use clamp set support properties Clamp = Index number

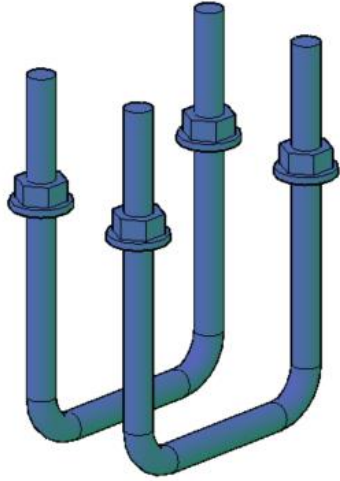
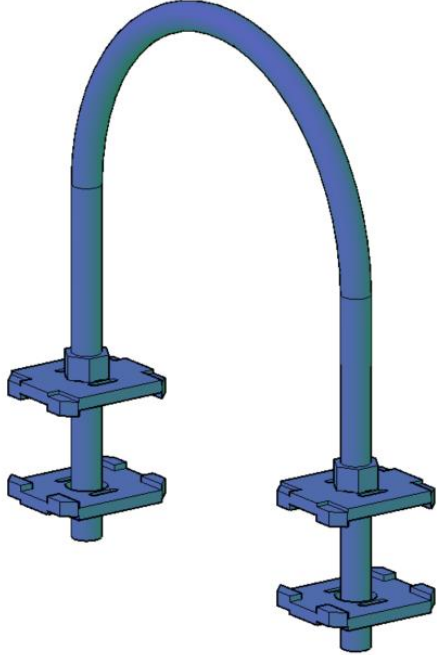
Index	Name	Image
6001	MP-PS-IFG 80/160	
6002	MP-PS-IFG 160/230	
6003	MP-PS-IFG 230/300	
6004	MP-PS-ISG 80/160	
6005	MP-PS-ISG 160/230	
6006	MP-PS-ISG 230/300	
6007	MT-FPS-FF OC	

Index	Name	Image
6008	MT-FPS-FZL OC	
6009	MT-FPS-SF OC	
6010	MT-FPS-SZ1 OC	

IntegaDesign SupportCatalog HI 1 – Clamp Index

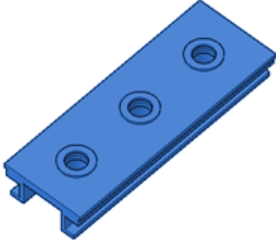
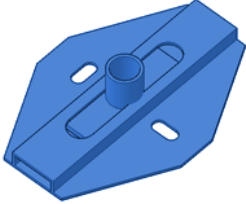
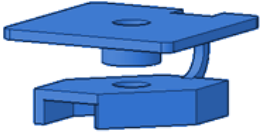
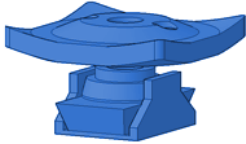
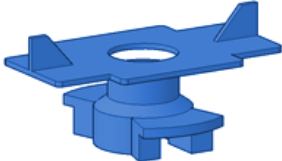
Index	Name	Image
6011	MT-FPS-SZ2 OC	
6012	MT-FPS-GF OC	
6013	MT-FPS-GL1 OC	
6014	MT-FPS-GL2 OC	

Index	Name	Image
For MI-PS 1/2/4 Pipe Shoe		
6015	MIC-PS90	
6015	MIC-PS120	
6017	MIC-PS90 + PSP 4mm	
6018	MIC-PS90 + PSP 6mm	
6019	MIC-PS120 + PSP 4mm	
6020	MIC-PS120 + PSP 6mm	
6021	MI-DGC 90	
6022	MI-DGC 120	

Index	Name	Image
6023	MIA-BO90-M12	
6024	MIA-BO120-M12	
For U-Bolt MP-UB		
6025	MQZ-L9-F	
6026	MQZ-L11-F	
6027	MQZ-L13-F	
6028	MQZ-L17-F	
6029	MQZ-L9-R	
6030	MQZ-L11-R	
6031	MQZ-L13-R	
6032	MQZ-L17-R	

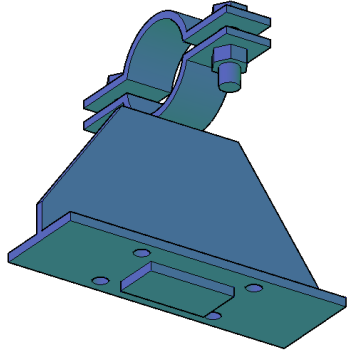
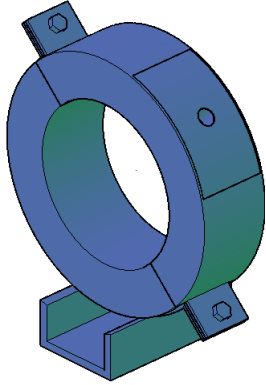
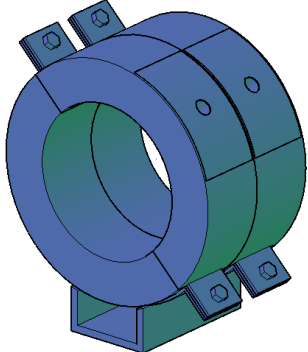
CLAMP/HANGER FOR CLIP

To use hanger set support properties Hanger = Index number

Index	Name	Image
7001	MSG-SE	
7002	MSG	
7003	MQA-S	
7004	MQA	
7005	MQM	

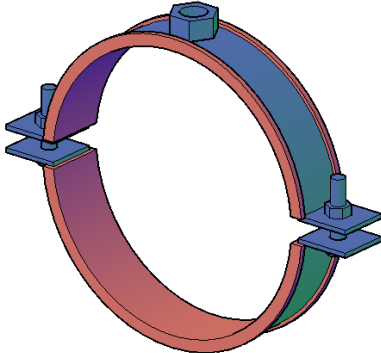
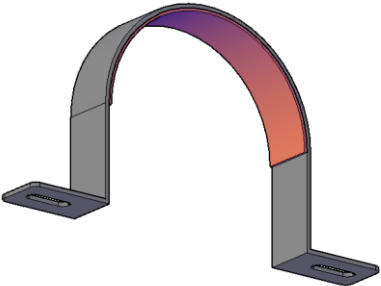
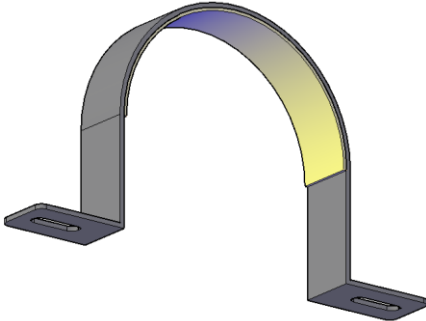
SLIDE PLATE

To use slide plate set support properties SlidePlate = Index number

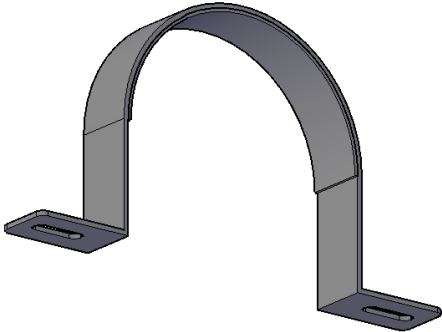
Index	Name	Image
For MI-PS 1/2/4 Pipe Shoe		
1	MIC-PG	
For MP-KF 170		
1	KF-171-1	
2	KF-171-2	

INLAY

To use slide plate set support properties Inlay = Index number

Index	Name	Image
For all common clip		
1	Gasket	
For MP-US		
1	Silicon Gasket	
2	Fiberglass	

IntegaDesign SupportCatalog HI 1 – Clamp Index

Index	Name	Image
3	EPDM	 A 3D perspective rendering of a dark grey, U-shaped clamp. The clamp consists of a curved top section and two vertical legs. Each leg terminates in a flat, rectangular mounting foot with a central slot. The entire component is shown against a plain white background.