



SuCri®

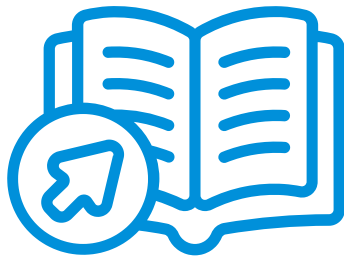
The plugin for efficient planning in
AutoCAD® Plant 3D™ and
Advance Steel™ –
developed for planners in plant
engineering and steel construction

Designed by engineers, for engineers



SuCri® is an innovative plugin for AutoCAD® Plant 3D™ and Advance Steel™, that supports engineers and planners in plant construction, e.g. in the wastewater management, chemical industry or process industry, and makes planning significantly more efficient.

The focus is on the significantly simplified planning of pipe supports as well as primary and secondary steel structures.



Thanks to integrated manufacturer-based component catalogs and automatic placement, SuCri® enables efficient and precise planning.

The very time-consuming manual selection of suitable bracket combinations and insertion of components is no longer necessary - the time required for the planner is reduced by a factor of 10.

In Advance Steel™, SuCri® provides seamless integration to optimize steel construction planning.

SuCri® The Concept

SuCri® currently consists of four modules that can be combined into bundles.



Modul 1 is the forms the basic module..



Modul 2 offers extended functionality in Plant 3D™



Modul 3 was developed for use in Advance Steel™.



Modul 4 is an extension to Plant 3D™ for secondary steel construction.



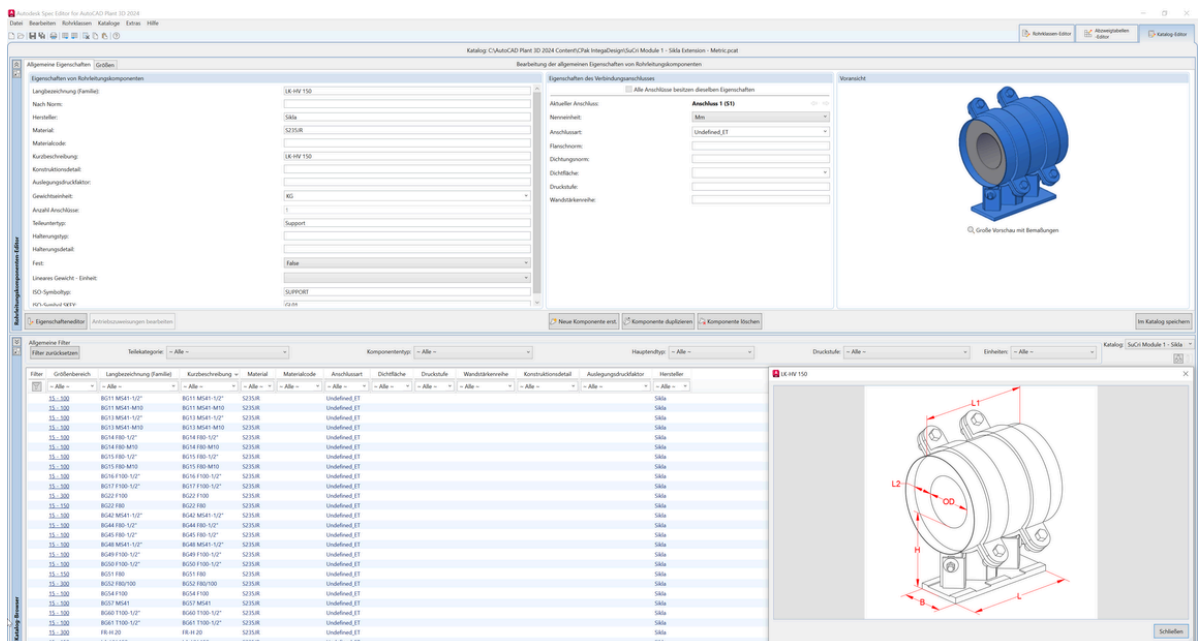
Module 1

The basic module contains manufacturer-based component catalogs for pipe support systems. It offers the following options, among others:

- Adding intelligent clamping systems
- Rotating the clamps at any angle
- Adding insert bands
- Adjusting the threaded rod on a normal pipe clamp
- Adjusting the height on adjustable pipe shoes
- Easy replacement of the bracket type without repositioning
- Option to integrate different materials
- Color indication in case of incorrect placement
- Extensions for the following manufacturers are available: Sikla®, Hilti®, Bernecker, MPSS.
- Module 1 is currently compatible with Plant 3D™ versions 2022-2024.



You can request a demo of the functions or trial licenses [here](#).



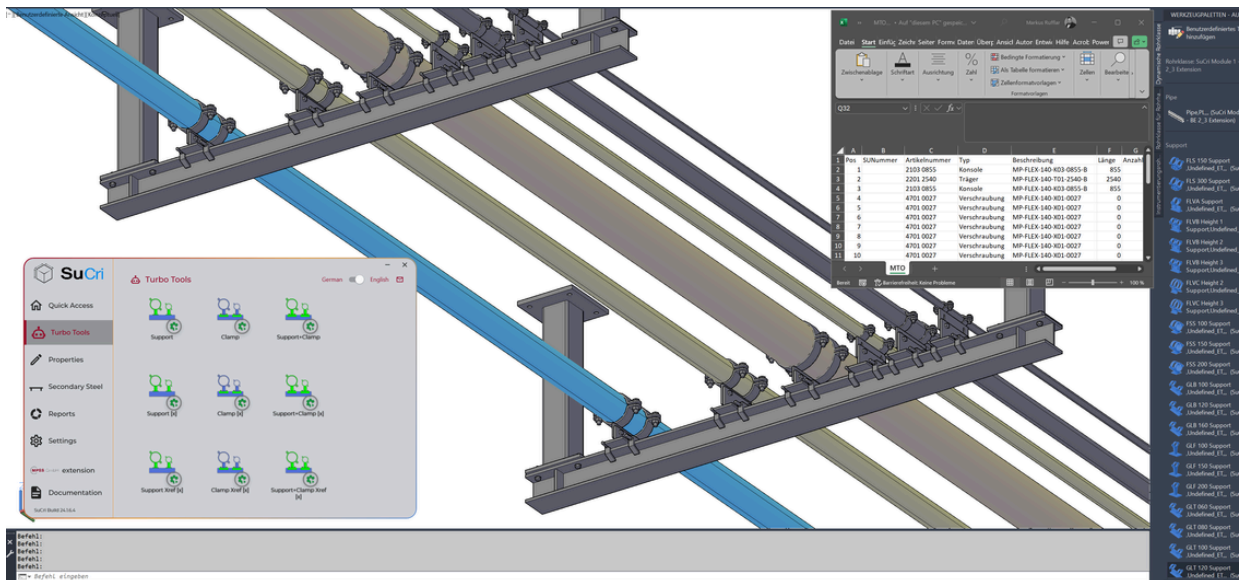
Screenshot Module 1

SuCri® The Modules

Module 2

Module 2 offers extended functionality to Module 1:

- Automatic placement of pipe-enclosing components and clamping systems
- Automatic adjustment of component properties
- Selection aid for the required components
- Parts list creation
- Extensions for the following manufacturers are available: Sikla®, Hilti®, Bernecker, MPSS. There is also an extension that enables the Module 2 functionalities with the standard brackets from Plant 3D®.
- Module 2 requires Module 1 as a basic license.
- Module 2 can currently be run with the Plant 3D™ versions 2022-2024.



Screenshot Module 2

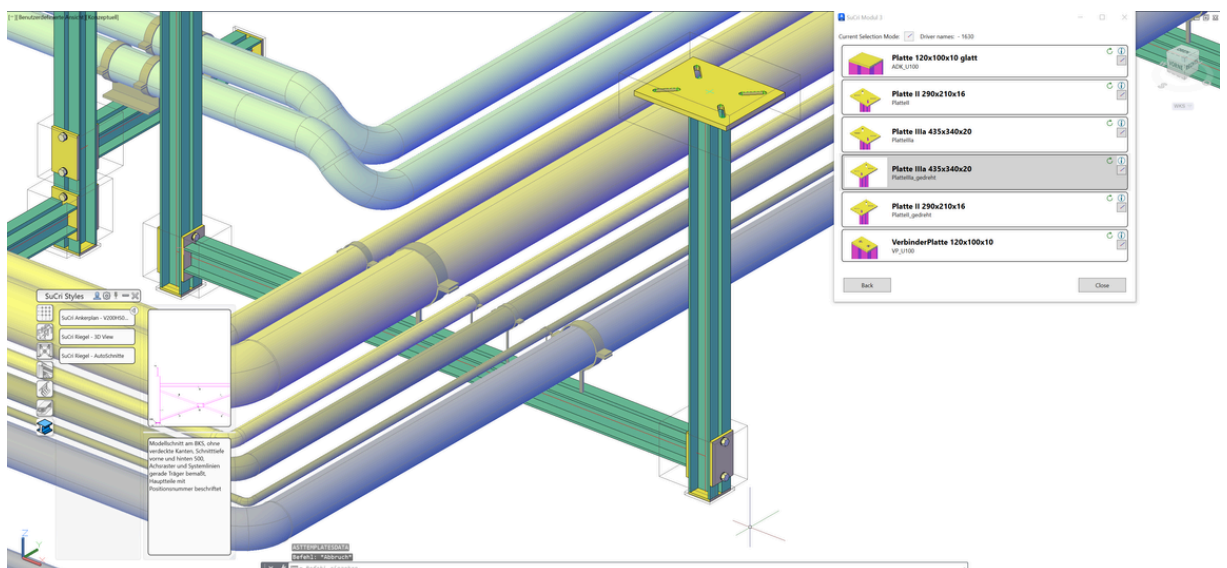
Module 3

Module 3 is aimed at users of Advance Steel™.

It enables

- the precise planning of connections within the secondary steel structure including connection to existing steel structure,
- pipe supports and steel profiles from Plant 3D® can be seamlessly imported into Advance Steel™,
- the addition of your projects, finalization and almost automated derivation of manufacturing documents.
- Extensions for the following manufacturers are available: Sikla®.
- Module 3 is currently executable with Advance Steel™ 2022-2024.

Detailed information about the features can be found in the [knowledge base](#).



Screenshot Module 3

Module 4

Module 4 is an extension to Plant 3D™ for secondary steel construction.

- Module 4 makes it possible to create drawings almost automatically.
- Module 4 is the optimal solution for customers who need quick production drawings but still do not want to do without the ortho drawings in Plant 3D™.
- Extensions for the following manufacturers are available: Sikla®, Hilti®, Bernecker, MPSS.
- There is also an extension that enables the Module 4 functionalities with the standard brackets from Plant 3D™.
- Module 4 is currently compatible with the Plant 3D™ 2024 version.

POS.	ANZ.	BESCHREIBUNG	ITEM CODE	LANGE	GEWICHT
1	12	Formlockschraube FLS	102512		0.36
2	2	Endlagge ADK F 80	102674		0.86
3	2	SP F 100	102944	1419	27.2
4	4	LC-WV 100 100-115 DIN 1000 HCP	103080		22
5	1	WBO-Halter F 100	103079		5.30
6	1	Stirnadapter STA F 100	103073		2.4

Screenshot Module 4

Contact

SuCri[®] is a brand of IntegaDesign GmbH.

IntegaDesign GmbH
GF Markus Rufflar
Otto-Hahn-Str. 36
63303 Dreieich

www.sucri.de

www.integadesign.de

Email: info@integadesign.de

Tel. + 49 (0)6103-7329244



Motto

Anyone who stops getting better has stopped being good.
(Philip Rosenthal, 1916 - 2001)



IntegaDesign[®]

2024 © All Rights Reserved.